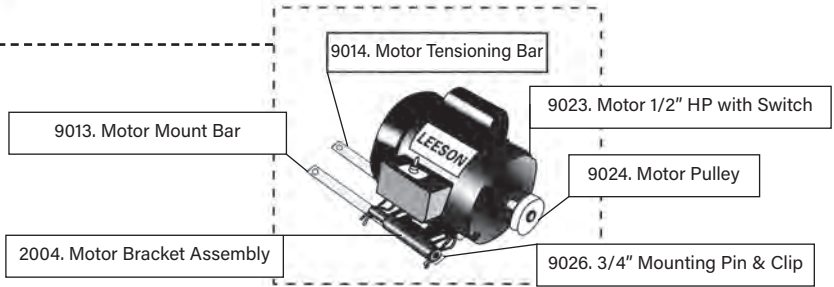
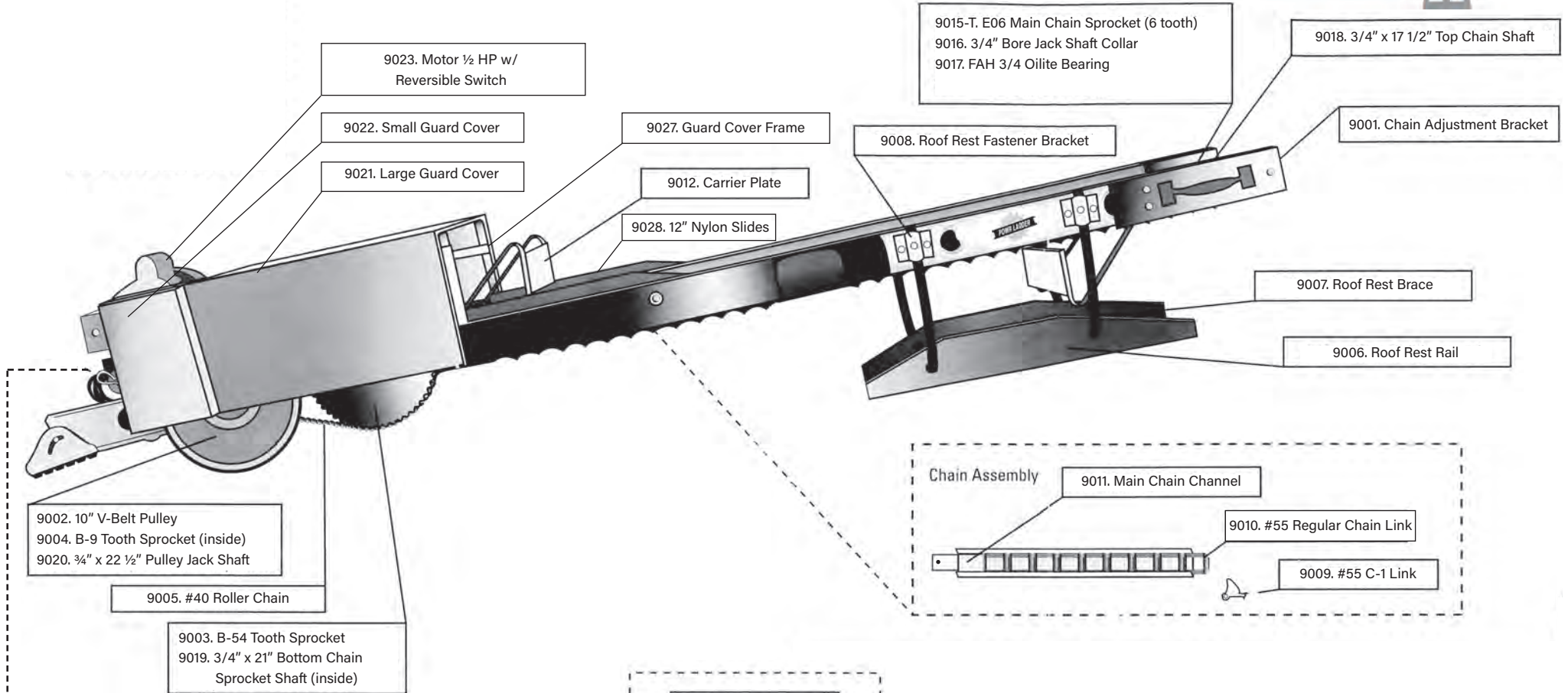
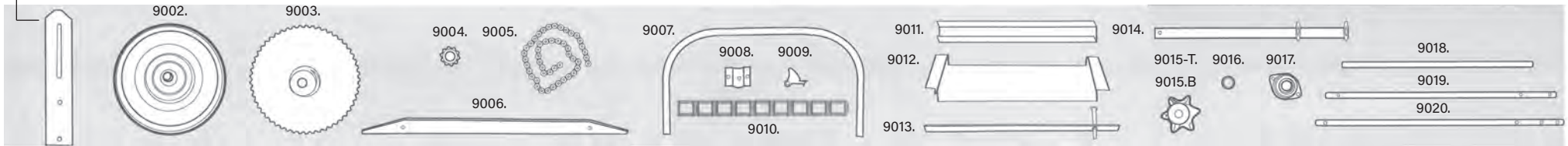


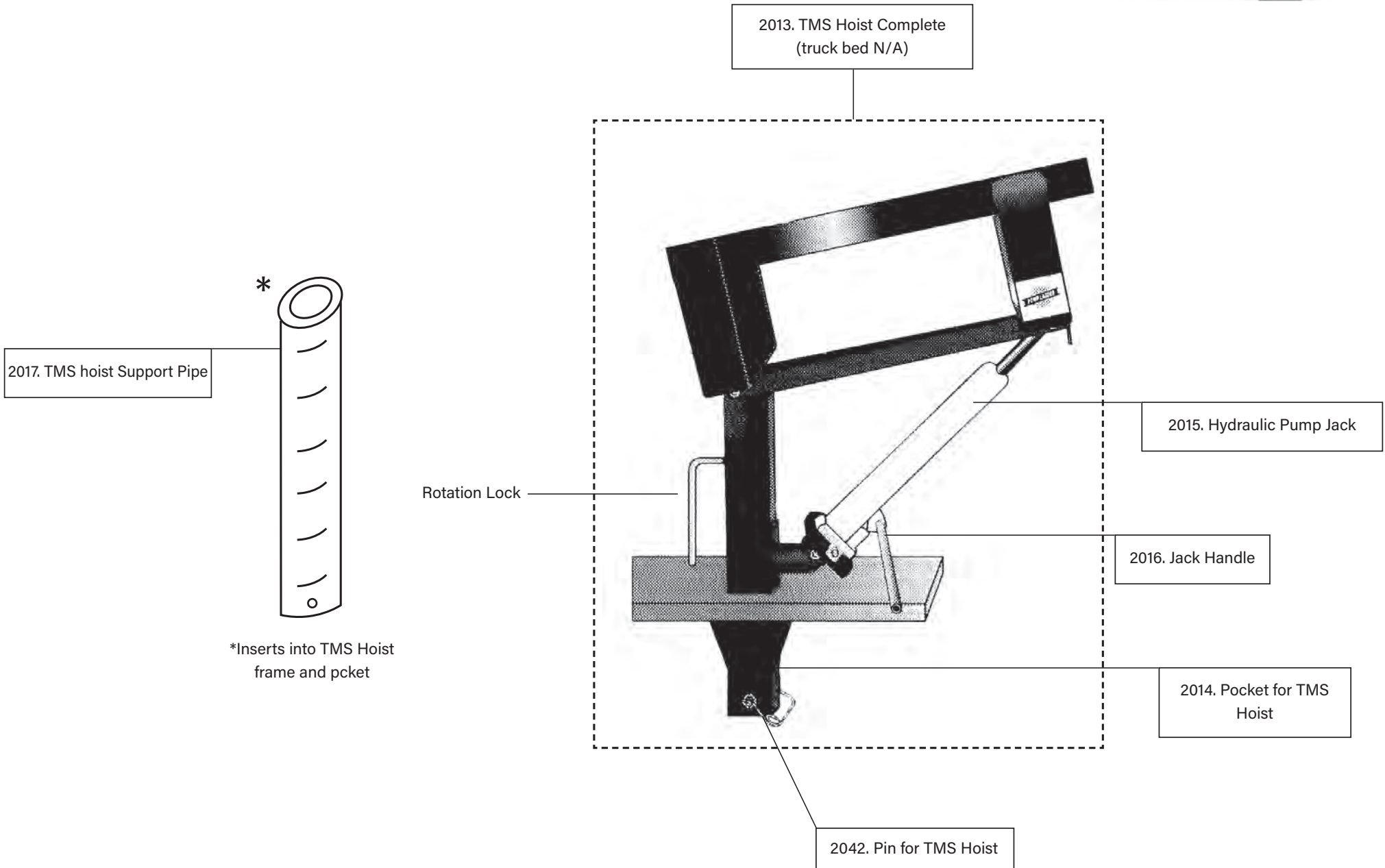
POWR LADDER Parts Identification



9001-P Passenger Side
9001-D Driver Side



TMS HOIST Parts Identification





by Richmond Conveyor Parts Order Form



POWR LADDER PARTS

- 9001-P _____ CHAIN ADJUSTMENT BRACKET PASSENGER SIDE
- 9001-D _____ CHAIN ADJUSTMENT BRACKET DRIVER SIDE
- 9002 _____ 10" V BELT PULLEY
- 9003 _____ B - 54 TOOTH SPROCKET
- 9004 _____ B - 9 TOOTH SPROCKET
- 9005 _____ # 40 ROLLER CHAIN
- 9006 _____ ROOF REST RAILS
- 9007 _____ ROOF REST BRACES
- 9008 _____ ROOF REST FASTENER BRACKETS
- 9009 _____ # 55 W C - 1 CHAIN LINK (carrier attachment)
- 9010 _____ # 55 REG CHAIN LINK 9.78" (pkg of 6)
- 9010-010 _____ #55 REG CHAIN 120.62"
- 9010-016 _____ #55 REG CHAIN 192.34" (16' conveyor)
- 9010-018 _____ #55 REG CHAIN 216.79" (18' conveyor)
- 9010-020 _____ #55 REG CHAIN 241.24" (20' conveyor)
- 9011 _____ MAIN CHAIN CHANNEL
- 9012 _____ CARRIER PLATE (PADDLE)
- 9013 _____ MOTOR MOUNT BAR
- 9014 _____ MOTOR TENSIONING BAR
- 2004 _____ MOTOR BRACKET ASSEMBLY
- 9015-T _____ EO6 TOP SPROCKET (6 tooth) W/ SET SCREWS
- 9015-B _____ EO6 BOTTOM SPROCKET (6 tooth) W/ BOLT
- 9016 _____ 3/4 "BORE JACK SHAFT COLLAR
- 9017 _____ FAH 3/4 OILITE BEARING
- 9018 _____ 3/4" X 17 1/2" TOP CHAIN SHAFT
- 9019 _____ 3/4" x 21" BOTTOM CHAIN SPROCKET SHAFT (Inside)
- 9020 _____ 3/4" X 22 1/2" PULLEY JACK SHAFT
- 9021 _____ LARGE GUARD COVER
- 9022 _____ SMALL GUARD COVER
- 9023 _____ MOTOR 1/2 HP w/ REVERSE SWITCH
- 9024 _____ 2 1/2 X 5/8" MOTOR PULLEY
- 9025 _____ 38" V BELT CONTINTECH A35

- 9026 _____ 3/4" MOUNTING PIN & CLIPS
- 9027 _____ GUARD COVER FRAME
- 9035-16 _____ LADDER SECTION 16'
- 9035-18 _____ LADDER SECTION 18'
- 9035-20 _____ LADDER SECTION 20'

TMS HOIST PARTS

- 2013 _____ TMS HOIST COMPLETE
- 2014 _____ POCKET FOR TMS HOIST
- 2015 _____ HYDRAULIC PUMP JACK
- 2016 _____ JACK HANDLE
- 2017 _____ TMS HOIST SUPPORT PIPE (Inner Rotation Pipe)
- 2092 _____ PIN FOR POCKET TMS HOIST

(OTHER) _____



Ship to:

Bill to:

PO#:

Phone:

Ordered by:
